

EXP-190

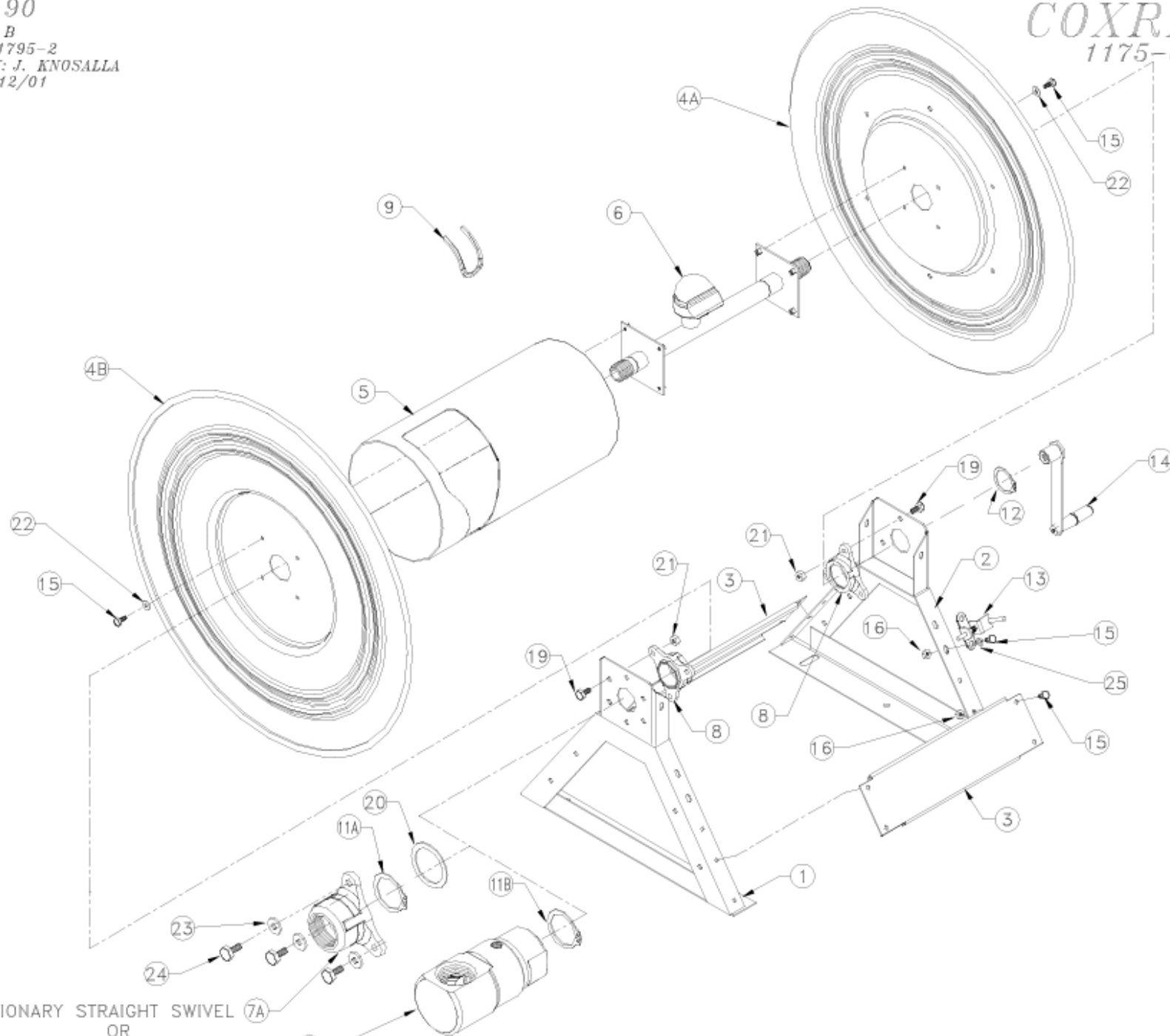
REVISION: B

ECO NO.: 1795-2

DRAWN BY: J. KNOSALLA

DATE: 10/12/01

COXREELS
1175-8 SERIES



STATIONARY STRAIGHT SWIVEL 7A
OR
OPTIONAL 90° SWIVEL 7B

COMMON PARTS TO ALL 1175-8- REELS W/CRANK

ITEM NO.	PART NO.	DESCRIPTION	QUANTITY REQUIRED				
			1175-8-50	1175-8-75	1175-8-100	1175-8-125	1175-8-150
1	7609 7630	FRAME, SWIVEL SIDE, 24" FRAME, SWIVEL SIDE, 28"	1	1	1	1	1
2	7614 7631	FRAME, CRANK SIDE, 24" FRAME, CRANK SIDE, 28"	1	1	1	1	1
3	20756-11.5 20756-15.5 20756-20 20756-25	BOTTOM RAIL BOTTOM RAIL BOTTOM RAIL BOTTOM RAIL	2	2	2	2	2
4A	7603 7627	DISC, 24" DISC, 28"	1	1	1	1	1
4B	7603-1 7627-1	DISC, 24" DISC, 28"	1	1	1	1	1
5	7604-11.5 7604-15.5 7604-20 7604-25	DRUM, CENTER DRUM, CENTER DRUM, CENTER DRUM, CENTER	1	1	1	1	1
6	7616-11.5 7616-15.5 7616-20 7616-25	AXLE ASSY 1-1/2", STRAIGHT * AXLE ASSY 1-1/2", STRAIGHT * AXLE ASSY 1-1/2", STRAIGHT * AXLE ASSY 1-1/2", STRAIGHT *	1	1	1	1	1
6	7619-11.5 7619-15.5 7619-20 7619-25	AXLE ASSY, 1-1/2", 90° SWV ** AXLE ASSY, 1-1/2", 90° SWV ** AXLE ASSY, 1-1/2", 90° SWV ** AXLE ASSY, 1-1/2", 90° SWV **	1	1	1	1	1
7A	20288	SWIVEL, 1-1/2", STRAIGHT *	1	1	1	1	1
7B	20253-1	SWIVEL, 1-1/2", 90° **	1	1	1	1	1
8	7622	ASSY, BEARING, 1-1/2"	2	2	2	2	2
9	7460-14	TRIM, DRUM EDGE	1	1	1	1	1
11A	20266	RING, SPIRAL *	1	1	1	1	1
11B	20252	RETAINING RING, 1-1/2" **	1	1	1	1	1
12	20252	RETAINING RING, 1-1/2"	1	1	1	1	1
13	20843	ASSY, LOCK PIN	1	1	1	1	1
14	7626	ASSY, HAND CRANK	1	1	1	1	1
15	312	BOLT, 5/16-18 X 3/4 LG	18	18	18	18	18
16	111	NUT, LOCKING, 5/16-18	10	10	10	10	10
19	20016	BOLT, 3/8-16 X 1 LG	6	6	6	6	6
20	20264	WASHER, BEARING *	1	1	1	1	1
21	435	NUT, LOCKING, 3/8	6	6	6	6	6
22	112	WASHER, LOCK, 5/16	8	8	8	8	8
23	437	WASHER, LOCK, 3/8 *	3	3	3	3	3
24	436	BOLT, 3/8-16 X 3/4 LG *	3	3	3	3	3
25	20171	WASHER, FLAT, 5/16	2	2	2	2	2

* ONLY SUPPLIED WITH STATIONARY SWIVEL ON STANDARD MODELS
 ** ONLY SUPPLIED WITH EXTERNAL 90 ° SWIVEL MODELS (ADD "-BUXX" SUFFIX TO MODEL NO.)