

Large Capacity Dual Hose Reels

1275 SERIES

AVAILABLE IN: **MOTOR DRIVEN**
HAND CRANK

COXREELS® 1275 Series "Dual Hose" hand crank or motorized hose reels are designed for large capacity applications. This series features dual plumbing with two swivel inlets and two low profile outlets that compliment the open drum slot and provide a non-crimping, flat smooth hose wrap. The industry preferred one piece all welded "A" frame design adds rigidity and strength while the positive gear drive rewind assures consistent trouble-free performance.

1275 SERIES

MODEL	STANDARD CAP.			OPTIONAL CAP.*			INLET SWIVEL ASSEMBLY	OUTLET RISER	PSI	APPR. LBS.	SIZE INDEX
	I.D.	O.D.	FT.	I.D.	O.D.	FT.					
1275-4-50	1/2"	7/8"	2/50	3/8"	3/4"	2/70	1/2" F NPT	1/2" F NPT	3,000	40	1
1275-4-100	1/2"	7/8"	2/100	3/8"	3/4"	2/140	1/2" F NPT	1/2" F NPT	3,000	42	2
1275-4-150	1/2"	7/8"	2/150	3/8"	3/4"	2/200	1/2" F NPT	1/2" F NPT	3,000	47	3
1275-4-200	1/2"	7/8"	2/200	3/8"	3/4"	2/300	1/2" F NPT	1/2" F NPT	3,000	56	4
1275-6-50	1"	1 7/16"	2/50	3/4"	1 1/4"	2/60	1" F NPT	1" F NPT	3,000	63	5
1275-6-75	1"	1 7/16"	2/75	3/4"	1 1/4"	2/110	1" F NPT	1" F NPT	3,000	68	6
1275-6-100	1"	1 7/16"	2/100	3/4"	1 1/4"	2/155	1" F NPT	1" F NPT	3,000	74	7
1275-6-150	1"	1 7/16"	2/150	3/4"	1 1/4"	2/200	1" F NPT	1" F NPT	3,000	88	8

*Reducer Required, See Page 33

MOTOR DRIVEN MODELS

When ordering, suffix the model number with selection below. *Add on approximate lbs to ship weight.

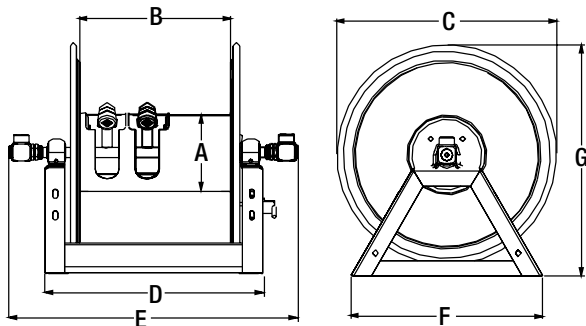
SUFFIX	TYPE	DESCRIPTION	ADD ON APPR. LBS.*
A	AIR - #4 GAST	COMP. AIR MOTOR	8
E	ELEC. - 12V DC	1/3 HP REW. REV. TYPE	13
EB	ELEC. - 24V DC	1/2 HP REW. REV. TYPE	26
ED	ELEC. - EXPL. PRF.	1/2 HP REW. REV. TYPE	26
EA	ELEC. - EXPL. PRF.	115V 1/2 HP REW., AC REV. TYPE	26
H	HYDRAULIC	END PORTED 9/16-18 UNF REV.	6
C	CRANK	BEVEL GEAR	3

*Add 5 lbs to ship weight if reel is crated

REEL DIMENSIONS

Technical Data Sheets Available On Website

SIZE INDEX	A	B	C	D	CRANK		ELEC.		AIR		F	G
					E	E	E	E				
1	6 1/4"	8"	17 1/2"	13 3/8"	19 5/16"	21 3/8"	19 1/2"	15 1/8"	18 3/4"			
2	6 1/4"	12"	17 1/2"	17 3/8"	23 5/16"	25 3/8"	23 1/2"	15 1/8"	18 3/4"			
3	6 1/4"	18"	17 1/2"	23 3/8"	29 5/16"	31 3/8"	29 1/2"	15 1/8"	18 3/4"			
4	6 1/4"	24"	17 1/2"	29 3/8"	35 5/16"	37 3/8"	35 1/2"	15 1/8"	18 3/4"			
5	10 1/2"	13 1/2"	20"	19 1/16"	-	30 3/8"	28 3/8"	18 7/8"	22 7/8"			
6	10 1/2"	13 1/2"	24"	19 1/16"	-	30 3/8"	28 3/8"	20 3/8"	26 1/8"			
7	10 1/2"	20"	24"	25 9/16"	-	30 7/8"	34 7/8"	20 3/8"	26 1/8"			
8	10 1/2"	20"	28"	25 9/16"	-	30 7/8"	34 7/8"	22 9/16"	30 1/16"			



DISCIPLINE FOR YOUR TWINS?

Low Profile Riser & Open Drum Slot For Smooth, Even Hose Wraps



Sturdy All Welded "A" Frame Base

1275 Series

1275 SERIES Offers...

- Hose I.D.:** 3/8" - 1/2" **Pressure:** To 3,000 PSI
- ✓ Two Solid Brass NPT Swivels & Two Outlet Risers For Dual Hose Applications
 - ✓ Positive Gear-Drive Rewind In Air, Hyd., & Electric Motor Rewind
 - ✓ One Piece All Welded Steel "A" Frame Construction
 - ✓ Low Profile Riser & Open Drum Slot For Smooth, Even Hose Wraps
 - ✓ Permanently Lub. Pillow Block Bearings Assure Smooth Rotation
 - ✓ Swivel O-Ring Seals, Supported By Teflon® Spacers
 - ✓ Swivel Seals: NITRILE

PORTABLE HOSE REEL CARTS

- ✓ Steel Round Handle Detaches For Compact Storage
 - ✓ Steel Front Legs With Rubber Feet Prevent Sliding
 - ✓ High Grade Ball Bearings With Hardened Cup
 - ✓ 1/2" Diameter Steel Axle
 - ✓ Solid 8" Rubber Tires
 - ✓ For 8" Semi-Pneumatic Tires Order Model #PRP
- PORTABLE CART (LESS REEL):** Weight: 14 lbs.
#PR-1125-12 - To be used with 1275-4-100
#PRP-1125-12 - To be used with 1275-4-100
NOT TO BE USED WITH MOTORIZED MODELS

- COXREELS® SIGNATURE FEATURES:**
- ✓ Professional Grade Heavy Duty Steel Construction
 - ✓ Durable Proprietary CPC™ Powder Coat Process
 - ✓ Rolled Edges & Ribbed Discs Provide Strength & Safety
 - ✓ Leading 2-Year Manufacturer's Limited Warranty
 - ✓ Made In The U.S.A. Sold & Supported Worldwide

HOW TO ORDER? See Page 5 For Details
NEED SPECIAL O-RINGS? See Page 35 For Details

AVAILABLE OPTIONS

ROLLER BRACKETS
 IMPROVE HOSE HANDLING FROM ANY DIRECTION
 MANY STYLES AVAILABLE
 See Page 34 For Selection

SWITCHES & SPEED CONTROLLERS
 ADJUST & SET REWIND SPEED
 CONVENIENT ON/OFF CONTROL
 REVERSE/FORWARD CAP.
 MANY STYLES AVAILABLE
 See Page 34 For Details

STAINLESS STEEL
 SWIVELS & PLUMBING FOR PURE PRODUCT FLOW APPLICATIONS
 Consult Factory For Details



Toll Free 800-COX-REEL • Fax 800-229-REEL • Int 480-820-6396 • Fax 480-820-5132 • www.coxreels.com



CATALOG #CMC08 ©Copyright 2008 COXREELS