

Compact Hand Crank Hose Reels

AVAILABLE IN: **HAND CRANK**

100 SERIES

COXREELS® 100 Series "Challenger" hand crank hose reels are lightweight, compact, versatile reels that perform at working pressures up to 4,000 PSI. Save time and effort while increasing the safety of your work environment. The sturdy "U" shaped frame and all steel construction make this one tough little reel. All listed models are supplied less hose. Stainless steel models are available.



100 Series 112-3-150

100 Series 112-3-50

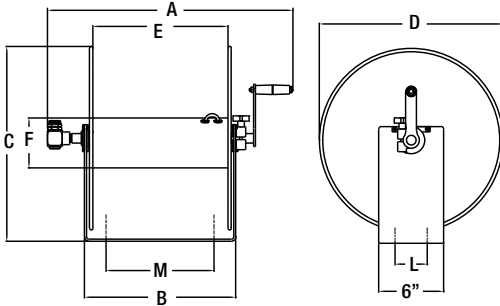


100 SERIES "CHALLENGER REELS"

LESS HOSE						SIZE INDEX
MODEL	I.D.	O.D.	FT.	PSI	APRX. LBS.	
112-3-50	3/8"	5/8"	50	4,000	15	1
112-3-100	3/8"	5/8"	100	4,000	19	2
112-3-150	3/8"	5/8"	150	4,000	21	3
117-3-250	3/8"	5/8"	250	4,000	30	4
117-3-400	3/8"	5/8"	400	4,000	33	5
117-3-550	3/8"	5/8"	550	4,000	35	6
112-4-75	1/2"	7/8"	75	4,000	21	3
117-4-225	1/2"	7/8"	225	4,000	31	5
117-4-350	1/2"	7/8"	350	4,000	37	6
117-5-100	3/4"	1 1/4"	100	4,000	35	7

REEL DIMENSIONS Technical Data Sheets Available On Website

SIZE INDEX	A	B	C	D	E	F	L	M
1	14 1/4"	6"	13"	12"	4 1/2"	5 1/2"	3"	4"
2	18 1/4"	9 1/2"	13"	12"	8"	5 1/2"	3"	5 1/2"
3	22 3/4"	14"	13"	12"	12 1/2"	5 1/2"	3"	10"
4	18 1/4"	9 1/2"	18"	17"	8"	5 1/2"	3"	5 1/2"
5	22 3/4"	14"	18"	17"	12 1/2"	5 1/2"	3"	10"
6	28 1/4"	19 1/2"	18"	17"	18"	5 1/2"	3"	15 1/2"
7	23 1/4"	14"	18"	17"	12 1/2"	5 1/2"	3"	10"



100 SERIES Offers...

- Hose I.D.: 3/8" - 3/4" Pressure: To 4,000 PSI
- ✓ Light Weight Compact Design
- ✓ Temperatures -20° F to 225° F
- ✓ Direct Hand Crank Action
- ✓ Up To 4,000 PSI Working Pressure
- ✓ Brass NPT Swivel Inlet Machined From Solid
- ✓ Brake Assembly Provides Adjustable Friction To Brake Or Lock The Drum
- ✓ Swivel Seals: NITRILE

COXREELS® SIGNATURE FEATURES:

- ✓ Professional Grade Heavy Duty Steel Construction
- ✓ Durable Proprietary CPC™ Powder Coat Process
- ✓ Rolled Edges & Ribbed Discs Provide Strength & Safety
- ✓ Leading 2-Year Manufacturer's Limited Warranty
- ✓ Made In The U.S.A. Sold & Supported Worldwide

HOW TO ORDER?
See Page 5 For Details

NEED SPECIAL O-RINGS
See Page 35 For Details

AVAILABLE OPTIONS

STAINLESS STEEL SWIVELS, PLUMBING & CONSTRUCTION FOR NON-CORROSIVE PURE PRODUCT FLOW



See Page 15 For Details



Toll Free 800-COX-REEL • Fax 800-229-REEL • Int 480-820-6396 • Fax 480-820-5132 • www.coxreels.com

